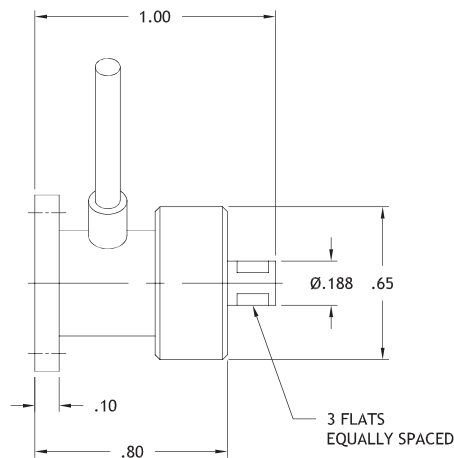
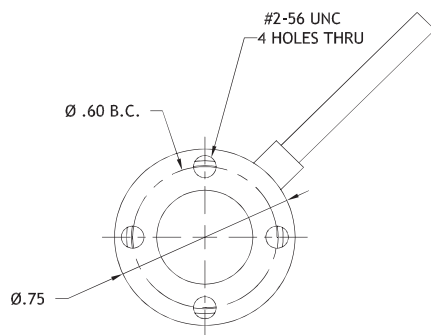


Miniature Torque Cell

Model XTM

Force

max.
1 Nm

All dimensions are in inches, unless otherwise noted. Also available in metric units.

**Measuring ranges**

- 0-1 N-m (0-142 in-oz)

**Features**

- Custom Design for your Application
- You Specify Dimensions and Mounting

**Drawing**

- 99-2201-0000

PERFORMANCE SPECIFICATIONS (FSO is Full Scale Output)		Capacity (N-m)	Ordering Example
EXCITATION	5 VDC max	1 (142in-oz)	XTM-142Z
OUTPUT	1 mV/V Nominal		
BRIDGE RESISTANCE	350 Ohms		
LINEARITY			
HYSTERESIS	±0.5% FSO, Combined		
REPEATABILITY			
OPERATING TEMP RANGE	+60 to +250°F		
COMPENSATED TEMP RANGE	+60 to +160°F		
SAFE OVERLOAD	150% of Capacity		
CASING MATERIAL	Stainless Steel		