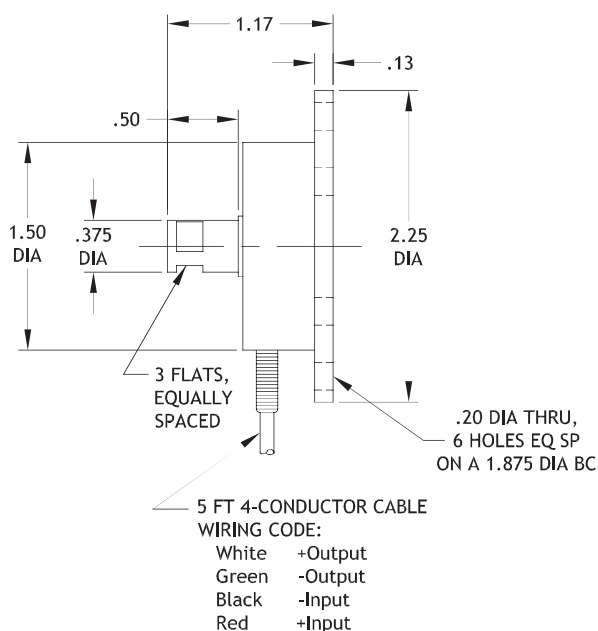


Flange Mount Torque Transducer

Model XTF375

Force

max.
300
in-lbs**Measuring ranges**

- 0-25 in-oz to 0-300 in-lbs

**Features**

- Reaction Torque Measurement
- Flange to Shaft Mount
- Low Torque Ranges Available
- Stainless Steel Construction
- No Rotating/Moving Parts
- Compact Design

**Drawing**

- 99-3096-0000

All dimensions are in inches, unless otherwise noted. Also available in metric units.

PERFORMANCE SPECIFICATIONS (FSO is Full Scale Output)		Capacity (in-oz/in-lbs)	Ordering Example
EXCITATION	10 VDC, 15 VDC max	25 in-oz	XTF375-025Z
OUTPUT	2 mV/V Nominal	30 in-oz	XTF375-030Z
BRIDGE RESISTANCE	350 Ohms	100 in-oz	XTF375-100Z
LINEARITY		120 in-oz	XTF375-120Z
HYSTERESIS		150 in-oz	XTF375-150Z
REPEATABILITY	±0.20% FSO, Combined	200 in-oz	XTF375-200Z
ZERO BALANCE	±2.0% FSO	25 in-lbs	XTF375-0025
OPERATING TEMP RANGE	-65 to +225°F (-54 to +107°C)	50 in-lbs	XTF375-0050
COMPENSATED TEMP RANGE	+60 to +160°F (+15 to +71°C)	100 in-lbs	XTF375-0100
THERMAL EFFECTS		150 in-lbs	XTF375-0150
on Zero	±0.005% FSO/°F	250 in-lbs	XTF375-0250
on Span	±0.005% Reading/°F	300 in-lbs	XTF375-0300
SAFE OVERLOAD	150% of Capacity		
ULTIMATE OVERLOAD	300% of Capacity		
CASING MATERIAL	Stainless Steel		