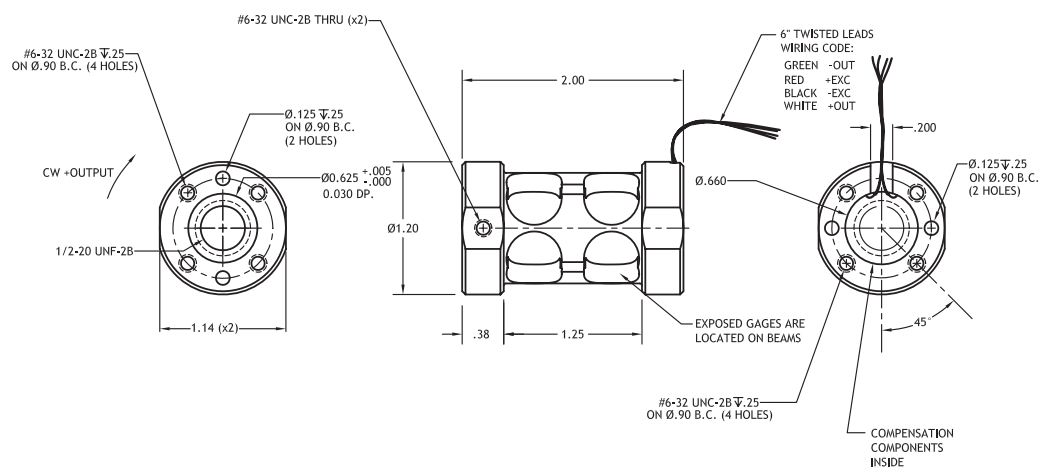


OEM Reaction Torque Sensor

Model XTA

max.
100
in-lbs

Force



Measuring ranges

- 0-20 in-oz to 0-100 in-lbs



Features

- Low Cost OEM Design
- Wide Range of Capacities
- Lightweight



Drawing

- 99-3410-0000

All dimensions are in inches, unless otherwise noted. Also available in metric units.

PERFORMANCE SPECIFICATIONS (FSO is Full Scale Output)		Capacity (in-oz/in-lbs)	Capacity (N-M)	Ordering Example	Torsion Stiffness
EXCITATION (VDC or VAC)	10 V, 20 V max	20 in-oz	0.12	XTA-020Z	800 in-oz/rad
OUTPUT	2 mV/V ± 0.3 mV/V	50 in-oz	0.30	XTA-050Z	3,300 in-oz/rad
BRIDGE RESISTANCE	1,000 Ohms	12 in-lbs	1.5	XTA-0012	1,000 in-lbs/rad
LINEARITY	±0.2% FSO	50 in-lbs	6	XTA-0050	9,400 in-lbs/rad
HYSTERESIS	±0.2% FSO	100 in-lbs	12	XTA-0100	13,200 in-lbs/rad
REPEATABILITY	±0.05% FSO				
ZERO BALANCE	±3.0% FSO				
OPERATING TEMP RANGE	-60 to +200°F (-50 to +93°C)				
COMPENSATED TEMP RANGE	+60 to +160°F (+15 to +72°C)				
THERMAL EFFECTS					
on Zero	±0.002% FSO/°F				
on Span	±0.002% Reading/°F				
SAFE OVERLOAD	150% of Capacity				
MATERIAL	Aluminum				
WEIGHT	2.3 oz. (65g)				
WIRE	#30 AWG, Pig Tail, 6 in long				
CALIBRATION (STD)	2 PT CW				
CALIBRATION (OPT)	2 PT CCW				
CALIBRATION TEST EXCITATION	10 VDC				