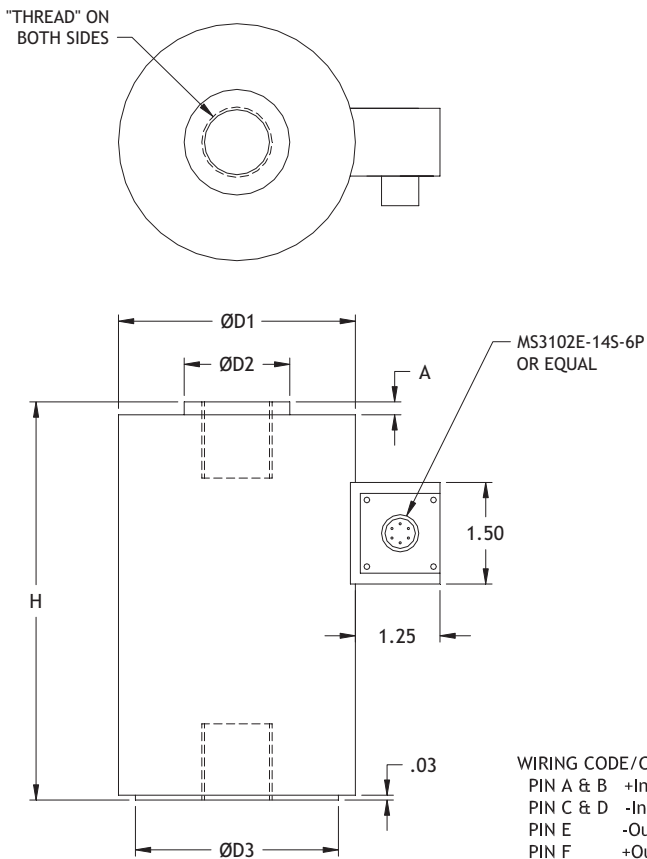


Canister Load Cell

Model XLUG



All dimensions are in inches, unless otherwise noted. Also available in metric units.

| PERFORMANCE SPECIFICATIONS (FSO is Full Scale Output) | | Capacity (lbs) | Ordering Example |
|---|------------------------------|----------------|------------------|
| EXCITATION | 10 VDC | 100 | XLUG-0100 |
| OUTPUT | 3 mV/V \pm 0.25% | 250 | XLUG-0250 |
| BRIDGE RESISTANCE | 350 Ohms | 500 | XLUG-0500 |
| INSULATION RESISTANCE | > 5,000 MOhms @ 50VDC | 1,000 | XLUG-001K |
| LINEARITY | \pm 0.03% FSO* | 2,000 | XLUG-002K |
| HYSTERESIS | \pm 0.03% FSO* | 5,000 | XLUG-005K |
| REPEATABILITY | 0.02% FSO | 50,000 | XLUG-050K |
| ZERO BALANCE | \pm 1.0% FSO | 75,000 | XLUG-075K |
| OPERATING TEMP RANGE | +30 to +185°F (-1 to +85°C) | 150,000 | XLUG-150K |
| COMPENSATED TEMP RANGE | +60 to +160°F (+15 to +71°C) | | |
| THERMAL EFFECTS on Zero | \pm 0.0015% FSO/°F | | |
| THERMAL EFFECTS on Span | \pm 0.0008% Reading/°F | | |
| SAFE OVERLOAD | 150% of Capacity | | |
| CASING MATERIAL | Stainless Steel | | |
| STANDARD CALIBRATION | Positive in Tension | | |

* 0.05% FOR CAPACITIES \leq 250 LBS & \geq 75,000 lbs

| Ranges (lbs) | H | ØD1 | ØD2 | ØD3 | A | Thread |
|------------------------|-------|------|------|------|-----|-------------------|
| 0-100 | 2.75 | 2.00 | .63 | 1.90 | .09 | 3/8-24 UNF x 7/16 |
| 0-250 to 0-500 | 2.75 | 2.00 | .63 | 1.90 | .18 | 3/8-24 UNF x 7/16 |
| 0-1,000 to 0-4,000 | 4.13 | 2.50 | .75 | 2.00 | .18 | 1/2-20 UNF x 5/8 |
| 0-5,000 to 0-10,000 | 5.88 | 3.50 | 1.56 | 3.00 | .19 | 1-14 UNF x 1-1/8 |
| 0-15,000 to 0-30,000 | 8.50 | 5.00 | 2.38 | 4.30 | .63 | 1 1/2- 12 UNF x 2 |
| 0-50,000 to 0-75,000 | 12.00 | 6.00 | 3.63 | 5.50 | .69 | 2-12 UNF x 2 1/2 |
| 0-100,000 to 0-150,000 | 15.80 | 7.50 | 4.80 | 6.80 | .69 | 3-8 UNF x 4 1/2 |
| 0-200,000 | 21.00 | 9.00 | 7.50 | 8.10 | .75 | 4-8 UN x 5 1/2 |



max.
200,000
lbs



Measuring ranges

- 0-100 to 0-200,000 lbs



Features

- High Accuracy
- ASTM E74 Calibration
- Tension/Compression
- Calibration Class



Options

- Dual Bridge
- Integral Cable
- Metric Threads



Drawing

- 99-2666-0000

Force