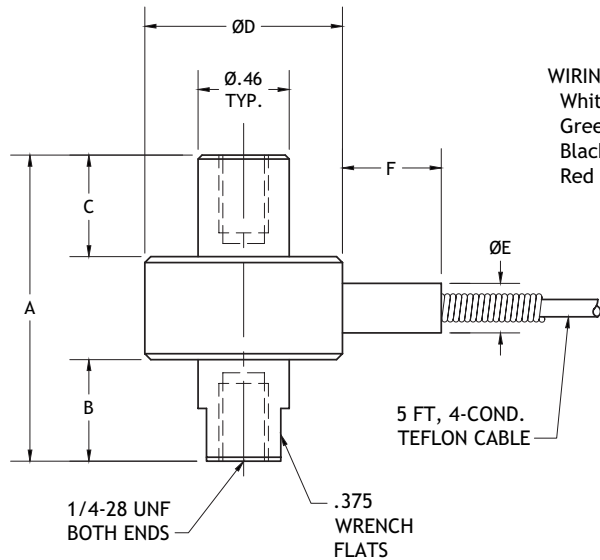


## Tension/Compression Load cell

Model XLU65f

Force



## WIRING CODE:

White +Output  
Green -Output  
Black -Input  
Red +Input



max.  
1,000  
lbs



## Measuring ranges

- 0-1,000 g to 0-1,000 lbs



## Features

- Small Size
- Tension/Compression
- Welded Stainless Construction



## Options

- Metric Threads
- Extended Compensated Temperature Range
- Inline Amplifier
- Underwater Cable
- Bridge Resistance
- Cable Length



## Drawing

- 99-2824-0000

\* Load cells 1kg - 10lbs have small balance board in cable

All dimensions are in inches, unless otherwise noted. Also available in metric units.

PERFORMANCE SPECIFICATIONS (FSO is Full Scale Output)		Capacity (gram/lbs)	Ordering Example
<b>EXCITATION</b>		1,000 grams	XLU65f-01KG
1,000g to 10lb	5 VDC	10 lbs	XLU65f-0010
20lb to 1,000lb	10 VDC	250 lbs	XLU65f-0250
<b>OUTPUT</b>		1,000 lbs	XLU65f-001K
1,000g	1.5 mV/V Nominal		
5lb to 1,000lb	2 mV/V		
<b>BRIDGE RESISTANCE</b>	350 Ohms (foil)		
<b>INSULATION RESISTANCE</b>	5,000 MOhms at 50 VDC		
<b>LINEARITY &amp; HYSTERESIS</b>			
1,000g to 250lb	±0.15% FSO, Combined		
500lb to 1,000lb	±0.20% FSO, Combined		
<b>REPEATABILITY</b>			
1,000g	±0.10% FSO		
5lb to 1,000lb	±0.05% FSO		
<b>OPERATING TEMP RANGE</b>	-65 to +250°F (-54 to +121°C)		
<b>COMPENSATED TEMP RANGE</b>	+60 to +160°F (+15 to +71°C)		
<b>THERMAL EFFECTS</b>			
on Zero	±0.005% FSO/°F		
on Span	±0.005% Reading/°F		
<b>SAFE OVERLOAD</b>	150% of Capacity		
<b>CASING MATERIAL</b>	Stainless Steel		
<b>STANDARD CALIBRATION</b>	Positive in Tension Calibrated in Tension		

Ranges (gram/lbs)	$\varnothing D$	A	B	C	$\varnothing E$	F
0-1,000 grams to 0-10 lbs	.75	1.75	.72	.60	.19	.31
0-25 to 0-100 lbs	1.00	1.75	.72	.52	.25	.50
0-250 to 0-1,000 lbs	1.00	2.00	.75	.75	.25	.50