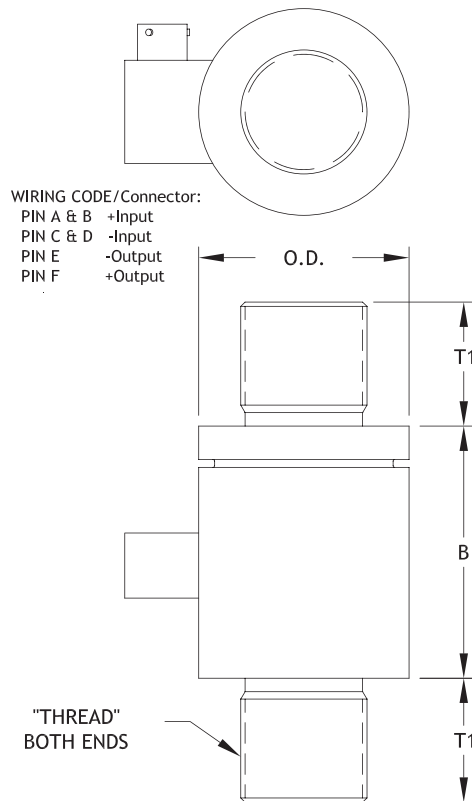


Rod End Tension Load Cell

Model XLRM



max.
750,000
lbs



Force

**Measuring ranges**

- 0-2,000 to 0-750,000 lbs

**Features**

- Tension/Compression
- Male/Male Threaded Connections
- Very High Capacities Available
- Rugged Design
- Hermetically Sealed
- Stainless Steel Construction

**Options**

- Built-In Amplifier
- Integral Cable
- Extended Compensated Temperature Range
- Bridge Resistance
- Thread Size
- Connector Guard

**Drawing**

- 99-2788-0000

All dimensions are in inches, unless otherwise noted. Also available in metric units.

PERFORMANCE SPECIFICATIONS (FSO is Full Scale Output)		Capacity (lbs)	OD	B
EXCITATION	10 VDC, 15 VDC max	2,000 - 5,000	1.5	2.6
OUTPUT	2.0 mV/V	7,500 - 20,000 (1 1/4 THD)	1.75	2.6
BRIDGE RESISTANCE	350 Ohms	7,500 - 20,000 (1 1/2 THD)	2.5	3.05
LINEARITY		30,000 - 50,000	2.5	3.05
50K lbs & below	±0.15% FSO	75,000 - 150,000	3.5	3.05
75K lbs & above	±0.2% FSO	250,000	4.5	5.5
HYSTERESIS		350,000	5.0	5.5
50K lbs & below	±0.15% FSO	500,000	5.5	5.75
75K lbs & above	±0.2% FSO	750,000	6.63	5.5
REPEATABILITY	±0.05% FSO			
ZERO BALANCE	±1.0% FSO			
OPERATING TEMP RANGE	-65 to +250°F (-54 to +121°C)			
COMPENSATED TEMP RANGE	+60 to +160°F (+15 to +71°C)			
THERMAL EFFECTS				
on Zero	±0.005% FSO/°F			
on Span	±0.005% Reading/°F			
SAFE OVERLOAD	150% of Capacity			
CONNECTOR	MS3102E-14S-6P (>50k) PTIH-10-6P (≤50K)			
MATERIAL	Stainless Steel			
CALIBRATION	Positive in Tension			

Ranges (lbs)	Thread	Thread Code	T1
0-2,000 to 0-15,000	3/4-16 UNF	0750	.95
0-2,000 to 0-20,000	7/8-14 UNF	0875	.95
0-7,500 to 0-20,000	1-14 UNF	1000	1.25
0-7,500 to 0-50,000	1 1/2-12 UNF	1500	1.5
0-75,000 to 0-150,000	2 1/2-12 UNF	2500	3.0
0 - 250,000	3 1/2-8 UN	3500	4.0
0 - 350,000	4-8 UN	4000	4.5
0 - 500,000	4-12 UN	400B	5
0 - 750,000	6-8 UN	6000	6.75

How to order

Note: not all combinations are possible, see chart

