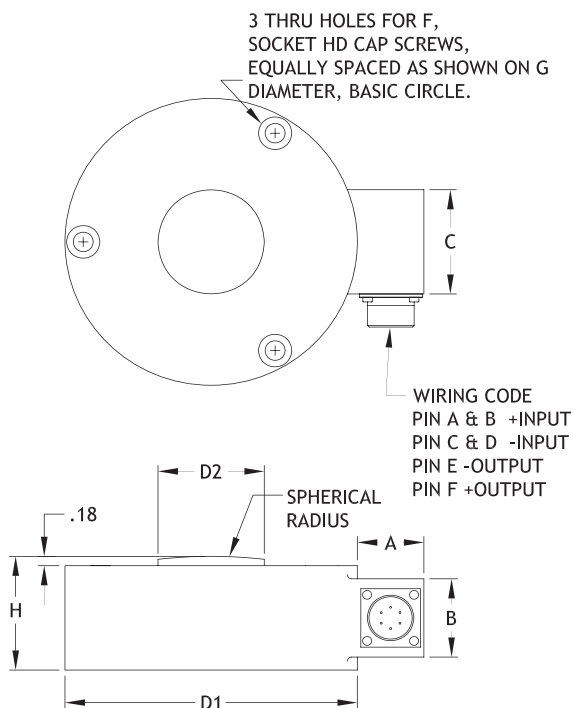


Compression Pancake Load Cell

Model XLPC56

Force



All dimensions are in inches, unless otherwise noted. Also available in metric units.

| PERFORMANCE SPECIFICATIONS (FSO is Full Scale Output) | |
|---|-------------------------------|
| EXCITATION | 10 VDC, 15 VDC max |
| OUTPUT | |
| 25 lbs & below | 2 mV/V±0.50% FSO |
| 50 lbs & above | 3 mV/V±0.50% FSO |
| BRIDGE RESISTANCE | 350 Ohms |
| LINEARITY | |
| 25 lbs & below | ±0.20% FSO |
| 50 lbs & above | ±0.10% FSO |
| HYSTERESIS | |
| 25 lbs & below | ±0.10% FSO |
| 50 lbs & above | ±0.08% FSO |
| REPEATABILITY | |
| 25 lbs & below | ±0.10% FSO |
| 50 lbs & above | ±0.03% FSO |
| ZERO BALANCE | ±1.0% FSO |
| OPERATING TEMP RANGE | -65 to +250°F (-54 to +121°C) |
| COMPENSATED TEMP RANGE | +60 to +160°F (+15 to +71°C) |
| THERMAL EFFECTS | |
| on Zero | ±0.002% FSO/°F |
| on Span | ±0.002% Reading/°F |
| SAFE OVERLOAD | 150% of Capacity |
| MATERIAL | 17-4 PH Stainless Steel |
| ELECTRICAL CONNECTOR | |
| 5,000 lbs & below | PTIH-10-6P or equal |
| above 5,000 lbs | MS3102E-14S-6P or equal |
| STANDARD CALIBRATION | Positive in Compression |

| Capacity (lbs) | Ordering Example |
|----------------|------------------|
| 50 | XLPC56-0050 |
| 2,500 | XLPC56-02K5 |
| 500,000 | XLPC56-500K |

| Ranges (lbs) | D1 | D2 | H | ØF | ØG | A | B | C |
|------------------------|------|------|------|------|-------|------|------|------|
| 0-5 to 0-25 | 2.50 | .37 | .98 | #8 | 2.000 | .82 | .75 | 1.25 |
| 0-50 to 0-1,000 | 3.00 | .56 | 1.18 | 1/4 | 2.250 | .82 | .75 | 1.25 |
| 0-2,000 to 0-5,000 | 3.50 | .69 | 1.18 | 5/16 | 2.625 | .82 | .75 | 1.25 |
| 0-7,500 to 0-30,000 | 4.50 | 1.50 | 2.00 | 3/8 | 3.790 | 1.25 | 1.50 | 2.00 |
| 0-50,000 to 0-100,000 | 4.50 | 1.50 | 2.00 | 3/8 | 3.790 | 1.25 | 1.50 | 2.00 |
| 0-150,000 to 0-200,000 | 5.50 | 2.00 | 2.18 | 3/8 | 4.812 | 1.25 | 1.50 | 2.00 |
| 0-300,000 | 7.0 | 2.50 | 2.68 | 3/8 | 6.000 | 1.25 | 1.50 | 2.00 |
| 0-400,000 | 7.5 | 2.50 | 2.68 | 3/8 | 6.750 | 1.25 | 1.50 | 2.00 |
| 0-500,000 | 11.0 | 4.75 | 4.50 | 3/4 | 9.500 | 1.25 | 1.50 | 2.00 |



max.
500,000
lbs



Measuring ranges

- 0-5 to 0-500,000 lbs



Features

- High Accuracy
- Compression Only
- Extremely Rugged Design
- Ease of Installation
- Welded Stainless Construction
- Wide Range of Capacities



Options

- Dual Bridge
- Bridge Resistance
- Built-In Amplifier
- Integral Cable



Drawing

- 99-2647-0000