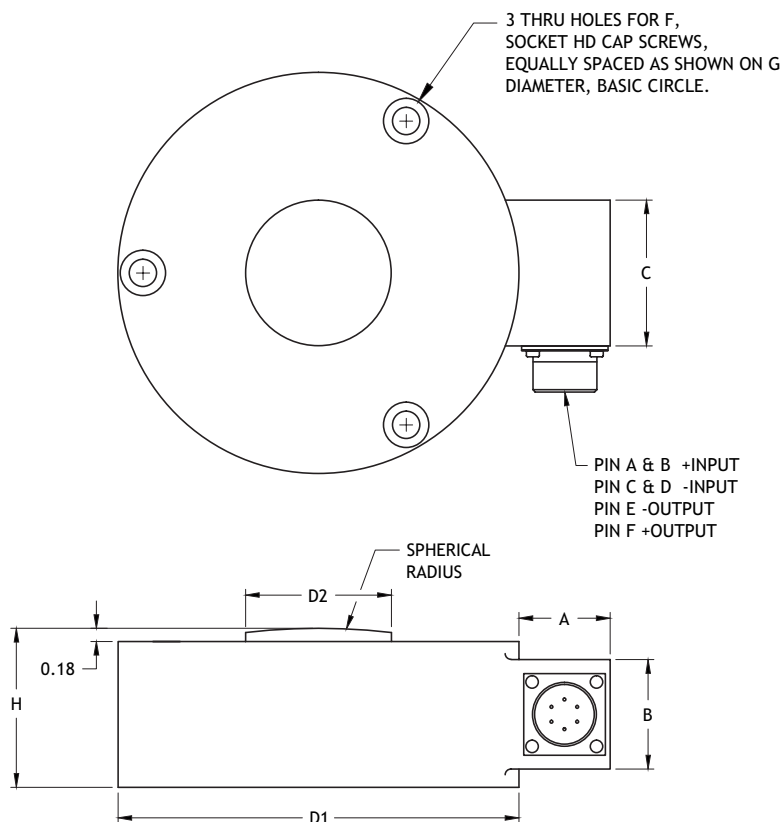


Fatigue Rated Compression Pancake Load Cell

Model XLPC26

Force

max.
200,000
lbs

Measuring ranges

- 0-50 to 0-200,000 lbs



Features

- Compact Design
- Designed for Multi-Cycle Testing
- Long Fatigue Life
- Wide Range of Capacities



Options

- Dual Bridge
- Bridge Resistance
- Built-In Amplifier
- Integral Cable



Drawing

- 99-3418-0000

All dimensions are in inches, unless otherwise noted. Also available in metric units.

PERFORMANCE SPECIFICATIONS (FSO is Full Scale Output)		Capacity (lbs)	Ordering Example
EXCITATION	10 VDC, 15 VDC max	50	XLPC26-0050
OUTPUT	2 mV/V \pm 0.50% FSO	2,500	XLPC26-02K5
BRIDGE RESISTANCE	350 Ohms	200,000	XLPC26-200K
LINEARITY	\pm 0.1% FSO		
HYSTERESIS	\pm 0.1% FSO		
REPEATABILITY	\pm 0.03% FSO		
ZERO BALANCE	\pm 1.0% FSO		
OPERATING TEMP RANGE	-65 to +250°F (-54 to +121°C)		
COMPENSATED TEMP RANGE	+60 to +160°F (+15 to +71°C)		
THERMAL EFFECTS			
on Zero	\pm 0.002% FSO/°F		
on Span	\pm 0.002% Reading/°F		
SAFE OVERLOAD	200% of Capacity		
MAXIMUM OVERLOAD	400% of Capacity		
MATERIAL	17-4 PH Stainless Steel		
ELECTRICAL CONNECTOR			
2,000 lbs & below	PTIH-10-6P or Equal		
Above 3,000 lbs	MS3102E-14S-6P or Equal		
STANDARD CALIBRATION	Positive in Compression		

Ranges (lbs)	D1	D2	H	F	ØD	A	B	C
0-50 to 0-500	3.00	.56	1.18	1/4	2.250	.82	.75	1.25
0-1,000 to 0-2,000	3.50	.69	1.18	5/16	2.625	.82	.75	1.25
0-3,000 to 0-10,000	4.50	1.50	2.00	3/8	3.790	1.25	1.50	2.00
0-15,000 to 0-50,000	4.50	1.50	2.00	3/8	3.790	1.25	1.50	2.00
0-75,000 to 0-100,000	5.50	2.00	2.18	3/8	4.812	1.25	1.50	2.00
0-150,000 to 0-200,000	7.50	2.50	2.68	3/8	6.750	1.25	1.50	2.00