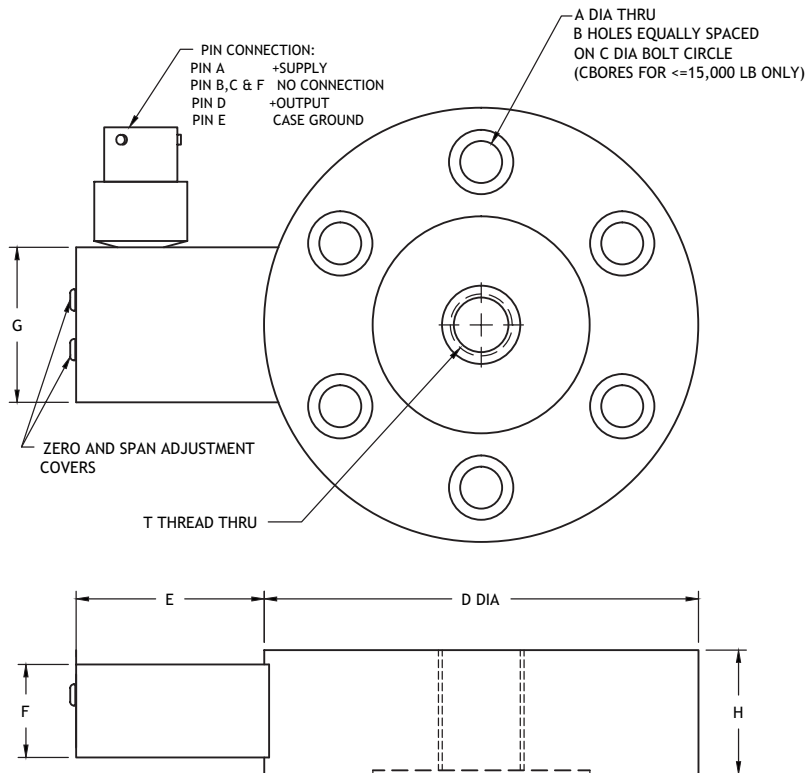


Universal Pancake Load Cell 4-20 mA 3-Wire

Model XLP58-I



All dimensions are in inches, unless otherwise noted. Also available in metric units.

PERFORMANCE SPECIFICATIONS (FSO is Full Scale Output)		Capacity (lbs)	Ordering Example
EXCITATION	16-32 VDC	5,000	XLP58-I-005K
OUTPUT	4-20 mA \pm 5% adjustable	7,500	XLP58-I-07K5
LINEARITY	\pm 0.1% FSO	20,000	XLP58-I-020K
HYSTERESIS	\pm 0.08% FSO		
REPEATABILITY	\pm 0.03% FSO		
ZERO BALANCE	4 mA \pm 10%, -2% adjustable		
OPERATING TEMP RANGE	0 to +185°F		
COMPENSATED TEMP RANGE	+60 to +160°F		
THERMAL EFFECTS			
on Zero	\pm 0.005% FSO/°F		
on Span	\pm 0.005% Reading/°F		
SAFE OVERLOAD	150% of Capacity		
ULTIMATE OVERLOAD	300% of Capacity		
MATERIAL	17-4 PH Stainless Steel		
STANDARD CALIBRATION	Positive in Tension		
CONNECTOR	PTIH-10-6P or equal		

Ranges (lbs)	ØD	H	A	B	C	T	E	F	G
0-5 to 0-1,000	3.00	1.00	.28	6	2.25	3/8-24UNF	2.2	.75	2.0
0-2,000 to 0-5,000	3.50	1.00	.34	6	2.63	1/2-20UNF	2.2	.75	2.0
0-7,500 to 0-15,000	5.50	1.80	.40	8	4.50	1-14UNS	2.3	1.5	2.0
0-20,000 to 0-50,000	6.00	1.80	.53	8	4.88	1 1/2-12UNF	2.3	1.5	2.0



max.
50,000
lbs



Force



Measuring ranges

- 0-5 to 0-50,000 lbs



Features

- High Accuracy
- Tension/Compression
- 4-20 mA Output 3-Wire
- Extremely Rugged Design
- Welded Stainless Construction
- Wide Range of Capacities



Options

- Dual Bridge
- Integral Cable
- 4-20 mA Output 2-Wire
- No Pots for Zero and Span Adjustment



Drawing

- 99-3414-0000