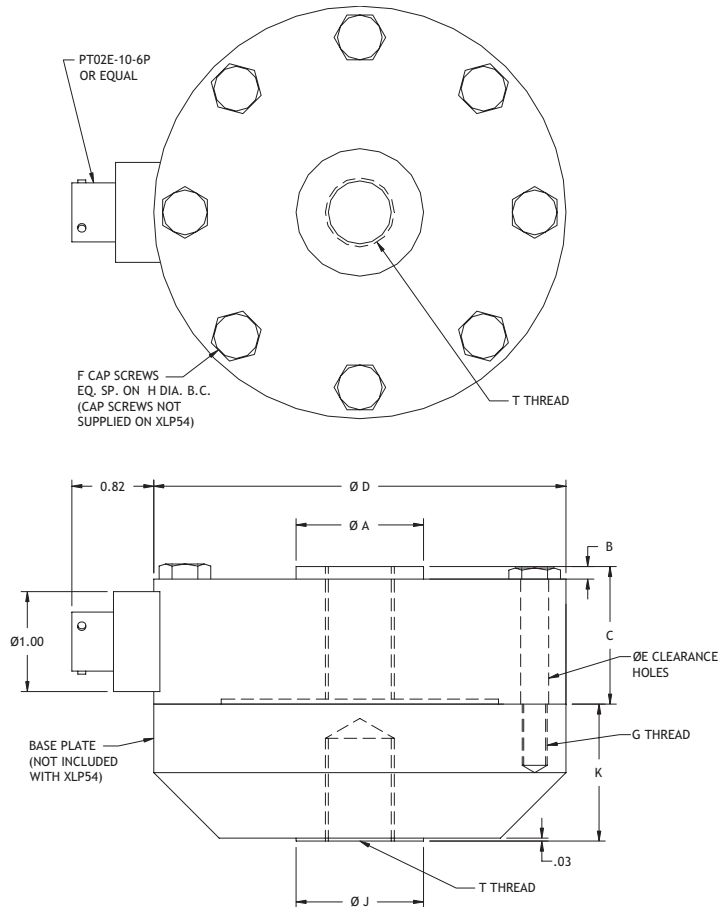


Precision Fatigue Rated Load Cell

Model XLP52/XLP54



All dimensions are in inches, unless otherwise noted. Also available in metric units.



max.
100,000
lbs



Force



Measuring ranges

- 0-250 to 0-100,000 lbs



Features

- High Accuracy
- Tension/Compression
- Barometric Compensation



Options

- Dual Bridge
- Bridge Resistance
- Built-In Amplifier
- Integral Cable



Drawing

- 99-3200-0000

PERFORMANCE SPECIFICATIONS (FSO is Full Scale Output)	
EXCITATION	10 VDC, 20 V max
OUTPUT	2 mV/V Nominal
BRIDGE RESISTANCE	350 Ohms
LINEARITY	0.04% FSO (.05% over 1000 lbs)
HYSTERESIS	0.03% FSO (.05% over 1000 lbs)
REPEATABILITY	0.02% FSO
ZERO BALANCE	1.0% FSO
OPERATING TEMP RANGE	-65 to +200°F (-54 to +93°C)
COMPENSATED TEMP RANGE	+30 to +130°F (-1 to +54°C)
THERMAL EFFECTS	
on Zero	±0.0008% FSO/°F
on Span	±0.0008% Reading/°F
SAFE OVERLOAD	300% of Capacity
STANDARD CALIBRATION	Positive in Tension/ Tested in Tension

Capacity (lbs)	Ordering Example
1,000	XLP52-001K ¹⁾
1,000	XLP54-001K ²⁾
2,500	XLP52-02K5 ¹⁾
2,500	XLP54-02K5 ²⁾
5,000	XLP52-005K ¹⁾
5,000	XLP54-005K ²⁾
7,500	XLP52-07K5 ¹⁾
7,500	XLP54-07K5 ²⁾
20,000	XLP52-020K ¹⁾
20,000	XLP54-020K ²⁾
50,000	XLP52-050K ¹⁾
50,000	XLP54-050K ²⁾

¹⁾ Calibrated with base plate

²⁾ Base plate not included

Wiring Code	
+ Excitation	Pin A
- Excitation	Pin D
+ Signal	Pin B
- Signal	Pin C
No Connection	Pin E & F

Ranges (lbs)	A	B	C	D	E	F	G	H	J	K	T
0-250 to 0-5,000	1.34	.20	1.38	4.13	9/32	8	1/4-28	3.50	1.25	1.13	5/8-18 UNF
0-10,000 to 0-25,000	2.65	.30	1.75	6.06	13/32	12	3/8-24	5.13	2.25	1.75	1 1/4-12 UNF
0-50,000	3.76	.40	2.50	8.00	17/32	16	1/2-20	6.50	3.00	2.00	1 3/4-12 UNF
0-100,000	4.81	.50	3.50	11.00	11/16	16	5/8-18	9.00	4.50	3.00	2 3/4-8 UNF