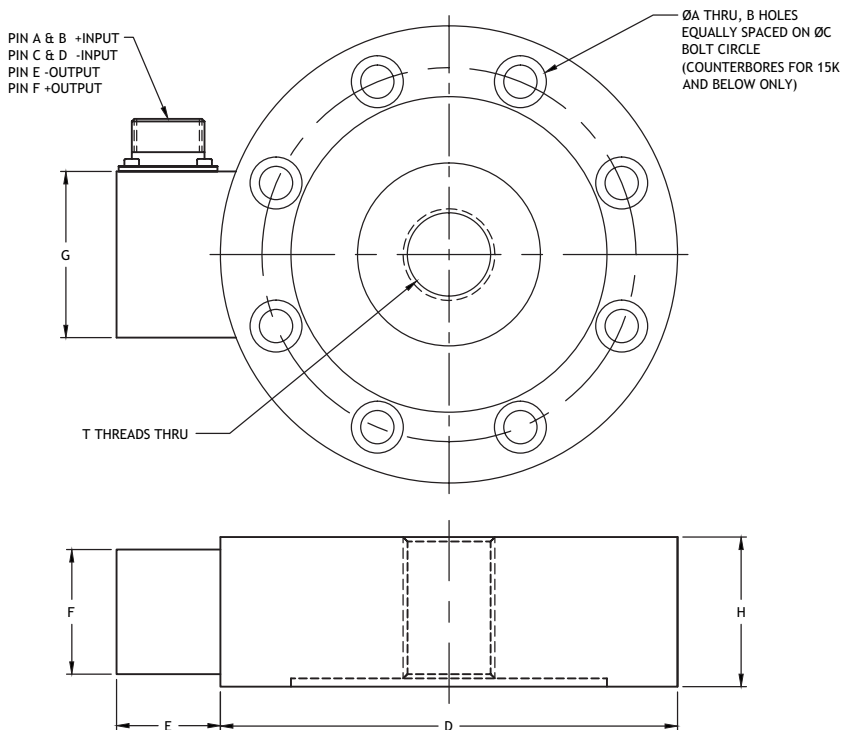


Fatigue Rated Universal Pancake Load Cell

Model XLP24



All dimensions are in inches, unless otherwise noted. Also available in metric units.



max.
200,000
lbs



Force

**Measuring ranges**

- 0-50 to 0-200,000 lbs

**Features**

- Designed for Multi-Cycle Testing
- Long Fatigue Life
- Wide Range of Capacities

**Options**

- Dual Bridge
- Bridge Resistance
- Built-In Amplifier
- Integral Cable
- Tension Plate

**Drawing**

- 99-3420-0000

PERFORMANCE SPECIFICATIONS (FSO is Full Scale Output)		Capacity (lbs)	Ordering Example
EXCITATION	10 VDC, 15 VDC max	50	XLP24-0050
OUTPUT	2 mV/V ±0.50% FSO	2,500	XLP24-02K5
BRIDGE RESISTANCE	350 Ohms	200,000	XLP24-200K
LINEARITY	±0.10% FSO		
HYSTERESIS	±0.10% FSO		
REPEATABILITY	±0.03% FSO		
ZERO BALANCE	±1.0% FSO		
OPERATING TEMP RANGE	-65 to +250°F (-54 to +121°C)		
COMPENSATED TEMP RANGE	+60 to +160°F (+15 to +71°C)		
THERMAL EFFECTS on Zero	±0.002% FSO/°F		
on Span	±0.002% Reading/°F		
SAFE OVERLOAD	200% of Capacity		
MAXIMUM OVERLOAD	400% of Capacity		
MATERIAL			
Below 125,000 lbs	17-4 PH Stainless Steel		
125,000 lbs & above	Carbon Steel		
ELECTRICAL CONNECTOR			
2,000 lbs & below	PTIH-10-6P or Equal		
Above 3,000 lbs	MS3102E-14S-6P or Equal		
STANDARD CALIBRATION	Positive in Tension		

Ranges (lbs)	D	H	ØA	B	ØC	T	E	F	G
0-50 to 0-500	3.00	1.00	.28	6	2.250	3/8-24 UNF	.82	.75	1.25
0-1,000 to 0-2,000	3.50	1.00	.34	6	2.625	1/2-20 UNF	.82	.75	1.25
0-3,000 to 0-7,500	5.50	1.80	.40	8	4.500	1-14 UNS	1.25	1.50	2.00
0-10,000 to 0-20,000	6.00	1.80	.53	8	4.875	1 1/2-12 UN	1.25	1.50	2.00
0-30,000 to 0-50,000	7.50	2.00	.78	8	6.000	2-12 UN	1.25	1.50	2.00
0-75,000 to 0-100,000	9.00	2.50	.66	12	7.750	2 1/2-12 UN	1.25	1.50	2.00
0-150,000 to 0-200,000	14.00	4.25	1.03	12	11.750	3 1/2-8 UN	1.50	1.50	2.00