

Bolt Sensor

Model XLDB

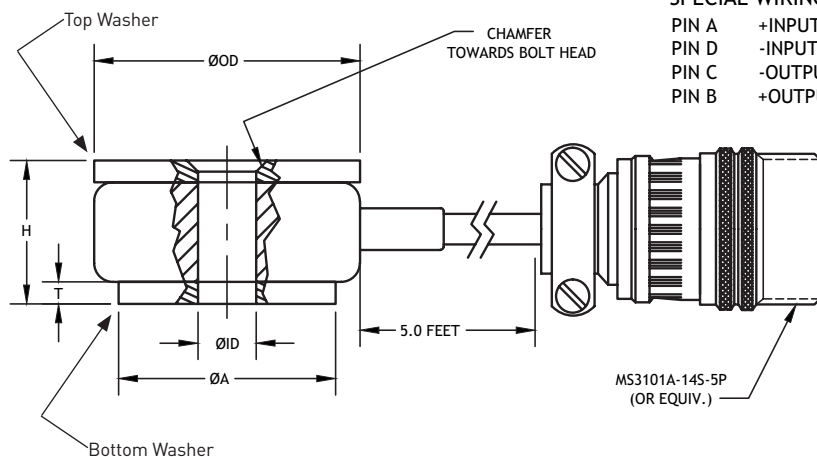


max.
300,000
lbs



SPECIAL WIRING CODE

PIN A +INPUT
PIN D -INPUT
PIN C -OUTPUT
PIN B +OUTPUT



All dimensions are in inches, unless otherwise noted. Also available in metric units.



Measuring ranges

- 0-500 to 0-300,000 lbs



Features

- Load Washer Design
- ID/OD Sized to Fit Standard Bolts
- mV/V Output
- Construction Utilizes High Strength Stainless Steel



Drawing

- 99-3092-0000

PERFORMANCE SPECIFICATIONS (FSO is Full Scale Output)		Capacity (lbs)	Ordering Example	Bolt	H	ID	OD	A	T
EXCITATION	10 VDC	500	XLDB-0500	#2	.280	.088	.38	.18	.040
OUTPUT	2-4 mV/V	800	XLDB-0800	#4	.280	.114	.38	.21	.040
BRIDGE RESISTANCE	350 Ohms	1,200	XLDB-1200	#6	.330	.140	.42	.25	.040
LINEARITY		1,800	XLDB-1800	#8	.330	.166	.47	.30	.040
Ranges <30k lbs	±3.0%	2,400	XLDB-2400	#10	.330	.192	.52	.35	.040
Ranges ≥30k lbs	±4.0%	5,000	XLDB-5000	1/4	.370	.262	.65	.47	.060
HYSTERESIS		7,000	XLDB-7000	5/16	.495	.326	.78	.55	.060
Ranges <30k	±5.0%	10,000	XLDB-010K	3/8	.495	.396	.80	.639	.060
Ranges ≥30k	±7.0%	12,000	XLDB-012K	7/16	.495	.454	.95	.72	.060
REPEATABILITY	±0.1% FSO	20,000	XLDB-020K	1/2	.660	.517	1.14	.91	.080
ZERO BALANCE	±2.0% FSO	25,000	XLDB-025K	9/16	.660	.580	1.23	.99	.080
OPERATING TEMP RANGE	-65 to +200°F (-54 to +93°C)	30,000	XLDB-030K	5/8	.660	.644	1.35	1.15	.080
COMPENSATED TEMP RANGE	+70 to +170°F (+21 to +77°C)	45,000	XLDB-045K	3/4	.815	.770	1.62	1.35	.095
THERMAL EFFECTS		60,000	XLDB-060K	7/8	.815	.897	1.72	1.60	.095
on Zero		80,000	XLDB-080K	1 1/8	1.065	1.151	2.20	1.90	.095
Ranges <18k lbs	±0.01% FSO/°F	90,000	XLDB-090K	1	.815	1.024	2.00	1.80	.095
Ranges ≥18k lbs	±0.007% Reading/°F	125,000	XLDB-125K	1 1/4	1.125	1.279	2.40	2.25	.125
on Span		190,000	XLDB-190K	1 1/2	1.125	1.533	2.80	2.60	.125
Ranges <18k lbs	±0.02% FSO/°F	260,000	XLDB-260K	1 3/4	1.300	1.787	3.20	3.00	.150
Ranges ≥18k lbs	±0.015% Reading/°F	300,000	XLDB-300K	2	1.650	2.041	3.60	3.50	.200
SAFE OVERLOAD	150% of Capacity								
CASING MATERIAL	440C Stainless Steel								