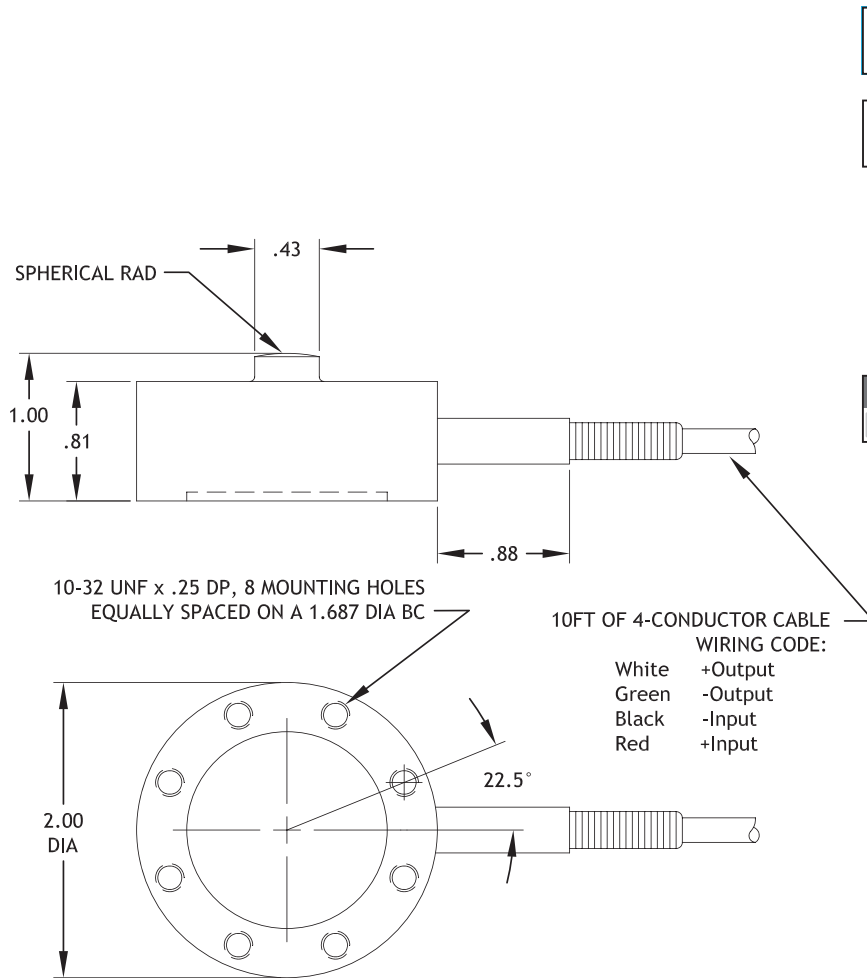


Rugged Industrial Load Cell

Model XLCN294

Force



max.
10,000
lbs

**Measuring ranges**

- 0-25 to 0-10,000 lbs

**Features**

- 0.15% Linearity
- Robust Design
- All Capacities in one Envelope
- mV/V Output

**Options**

- Different Bridge Resistance
- Cable Length
- Inline Amplifier
- Mounting Configuration
- Extended Compensated Temperature Range

**Drawing**

- 99-2852-0000

All dimensions are in inches, unless otherwise noted. Also available in metric units.

PERFORMANCE SPECIFICATIONS (FSO is Full Scale Output)		Capacity (lbs)	Ordering Example
EXCITATION	10 VDC, 15 VDC max	25	XLCN294-0025
OUTPUT	2 mV/V	100	XLCN294-0100
BRIDGE RESISTANCE	350 Ohms	1,000	XLCN294-001K
LINEARITY	±0.15% FSO	2,500	XLCN294-02K5
HYSTERESIS	±0.10% FSO	10,000	XLCN294-010K
REPEATABILITY	±0.05% FSO		
ZERO BALANCE	±2% FSO		
OPERATING TEMP RANGE	-50 to +225°F (-46 to +107°C)		
COMPENSATED TEMP RANGE	+60 to +160°F (+15 to +71°C)		
THERMAL EFFECTS			
on Zero	±0.005% FSO/°F		
on Span	±0.005% Reading/°F		
SAFE OVERLOAD	150% of Capacity		
ULTIMATE OVERLOAD	300% of Capacity		
CASING MATERIAL	Stainless Steel		

Option Codes

“-S” = Solid base without 10-32UNF mounting holes

“-B1” = Optional 1,000 Ohm bridge resistance

“-CFXX” = Optional cable length (XX= Length in feet)

Add these codes to the end of the standard Part Number

Example:

XLCN294-010K-S-CF40

(10,000 lbs unit w/solid base and 40' cable length)