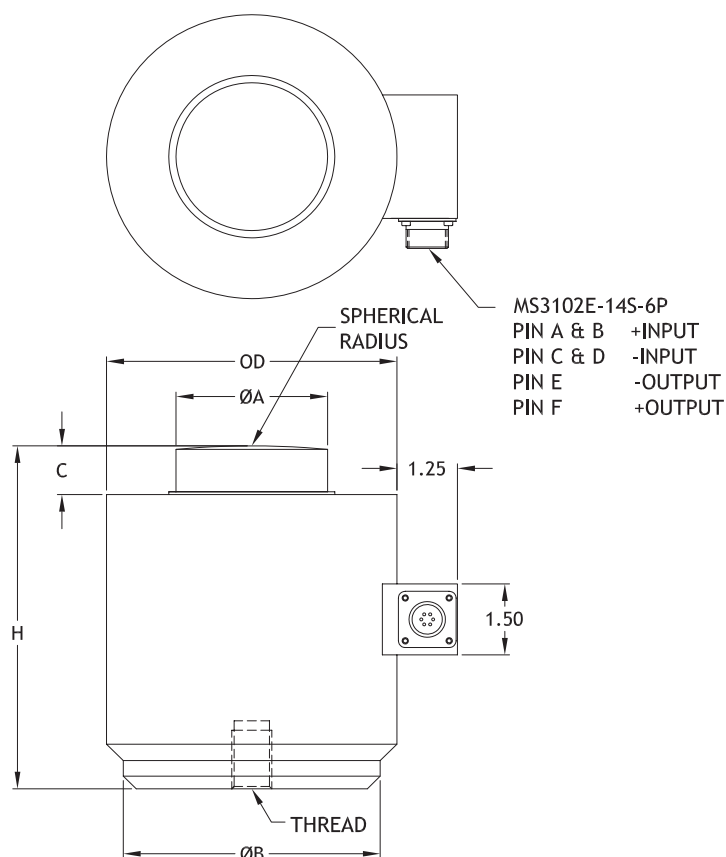


# Compression Canister Load Cell

## Model XLCC



max.  
750,000  
lbs



Force



### Measuring ranges

- 0-10,000 to 0-750,000 lbs



### Features

- High Accuracy
- Calibration Class
- Robust and Reliable



### Options

- Dual Bridge
- ASTM74 Calibration
- Bridge Resistance
- Integral Cable



### Drawing

- 99-2868-0000

All dimensions are in inches, unless otherwise noted. Also available in metric units.

PERFORMANCE SPECIFICATIONS (FSO is Full Scale Output)		Capacity (lbs)	Ordering Example
EXCITATION	10 VDC	10,000	XLCC-010K
OUTPUT	2 mV/V (3.0 mV/V optional)	100,000	XLCC-100K
BRIDGE RESISTANCE	350 Ohms	500,000	XLCC-500K
INSULATION RESISTANCE	>5,000 MOhms at 50 VDC		
LINEARITY	±0.03% FSO		
HYSTERESIS	±0.03% FSO		
REPEATABILITY	±0.01% FSO		
ZERO BALANCE	±1% FSO		
OPERATING TEMP RANGE	-30 to +185°F (-34 to +85°C)		
COMPENSATED TEMP RANGE	+60 to +160°F (+15 to +71°C)		
THERMAL EFFECTS			
on Zero	±0.0015% FSO/°F		
on Span	±0.0008% Reading/°F		
SAFE OVERLOAD	150% of Capacity		
CASING MATERIAL	Stainless Steel		

Ranges (lbs)	OD	ØA	ØB	H	Thread	C
0-10,000 to 0-50,000	2.88	1.25	2.12	3.25	1/2-20 UNF-2B	.40
0 to 100,000	4.12	2.31	3.66	5.00	3/4-16 UNF-3B	.51
0-200,000 to 0-300,000	6.00	3.13	5.31	7.25	3/4-16 UNF-3B	1.03
0-500,000 to 0-750,000	6.50	3.69	5.81	9.00	3/4-16 UNF-3B	1.04