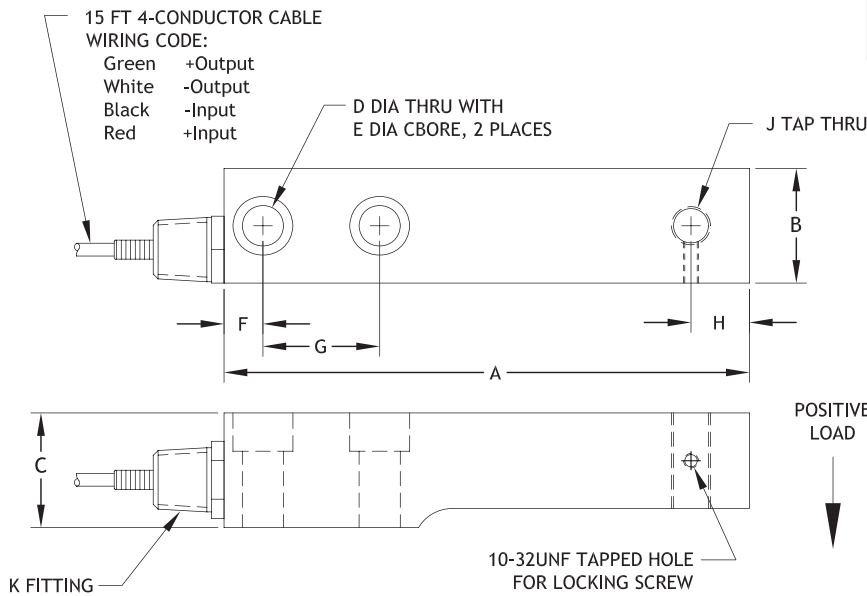


## Standard cantilever beam

Model XLBC

Force

max.  
10,000  
lbs

All dimensions are in inches, unless otherwise noted. Also available in metric units.

**Measuring ranges**

- 0-100 to 0-10,000 lbs

**Features**

- Very High Accuracy
- Minimizes Effects of Off-Axis Loading
- Sealed for Industrial Environment

**Options**

- Connector in lieu of Cable
- Bridge Resistance
- Inline Amplifier

**Drawing**

- 99-2772-0000

PERFORMANCE SPECIFICATIONS (FSO is Full Scale Output)		Capacity (lbs)	Ordering Example
EXCITATION	10 VDC, 15 VDC max	100	XLBC-0100
OUTPUT	3 mV/V $\pm$ .0075 mV/V	1,000	XLBC-001K
BRIDGE RESISTANCE	350 Ohms	10,000	XLBC-010K
LINEARITY	$\pm$ 0.03% FSO		
HYSTERESIS	$\pm$ 0.02% FSO		
REPEATABILITY	$\pm$ 0.02% FSO		
ZERO BALANCE	$\pm$ 1.0% FSO		
OPERATING TEMP RANGE	-30 to +180°F (-34 to +82°C)		
COMPENSATED TEMP RANGE	+60 to +160°F (+15 to +71°C)		
THERMAL EFFECTS on Zero on Span	$\pm$ 0.0015% FSO/°F $\pm$ 0.0008% Reading/°F		
SAFE OVERLOAD	150% of Capacity		
ULTIMATE OVERLOAD	300% of Capacity		
CASING MATERIAL	Stainless Steel		

Ranges (lbs)	A	B	C	D	E	F	G	H	J	K
0-100 to 0-750	4.75	1.0	1.0	.39	.59	.50	1.00	.75	1/2-20UNF	3/8-18NPT
0-1,000 to 0-5,000	6.75	1.25	1.5	.53	.77	.50	1.50	1.00	1/2-20UNF	1/2-14NPT
0-10,000	7.75	1.5	1.5	.77	NA	.75	2.00	1.00	3/4-16UNF	1/2-14NPT