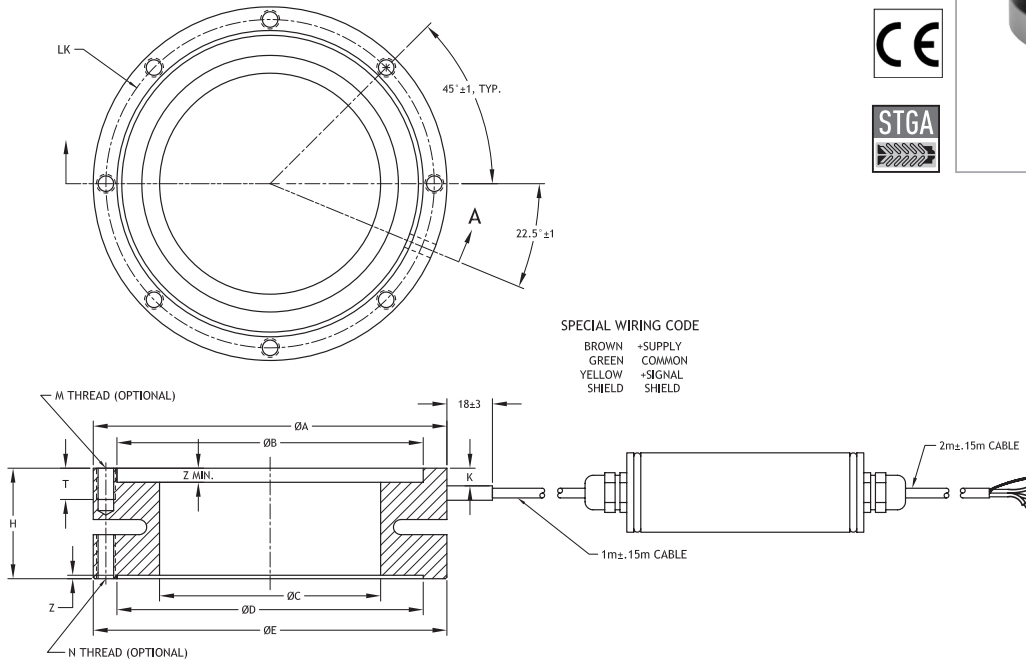


## Ring force transducer

Model F6212

max.  
150 kN

Force

**Measuring ranges**

- 0-2 to 0-150 kN

**Features**

- Flat version
- For press in force control
- Compression force and tension force
- Amplifier version shown
- Non-Amplified Version Available

**Drawing**

- 99-3010-0000/AE993

All dimensions are in millimeters, unless otherwise noted. Also available in American units.

PERFORMANCE SPECIFICATIONS (FSO is Full Scale Output)		Capacity (kN)	Ordering Example										
EXCITATION	12-28 VDC	0 - 2	F6212 1 320 401										
OUTPUT	0-10 VDC	0 - 5	F6212 1 350 402										
ACCURACY (LINEARITY & HYSTERESIS)	±0.20% FSO <sup>1)</sup>	0 - 10	F6212 1 410 403										
		0 - 20	F6212 1 420 404										
ACCURACY (AMP)	±0.03% FSO	0 - 50	F6212 1 450 405										
ZERO BALANCE	±1.0% FSO	0 - 100	F6212 1 510 406										
OPERATING TEMP RANGE	-30 to +80°C (0 to +60°C AMP)	0 - 150	F6212 1 515 407										
COMPENSATED TEMP RANGE	-10 to +50°C (+10 to +40°C AMP)												
THERMAL EFFECTS													
on Zero	0.02% FSO/°C (±0.015% FSO/°C AMP)												
on Span	0.02% Reading/°C (±0.005% Reading/°C AMP)												
SAFE OVERLOAD	150% of Capacity												
ULTIMATE OVERLOAD	300% of Capacity												
MATERIAL	Stainless Steel												
ENVIRONMENTAL PROTECTION	IP65 (IP67 AMP)												
STANDARD CALIBRATION	Positive in Compression												

Ranges (kN)	A	B	C	D	E	H	K	Z	M/N <sup>2)</sup>	T <sup>2)</sup>	LK <sup>2)</sup>
0-2 to 0-20	69.7	54	33	-	70	25	3.4	-	M5x0.8	6	62
0-50 to 0-100	111.5	97	70	97	112	35	8.9	1	M6x1	10	104
0-150	130	115	86	105	130	30	4.1	1.1	-	-	-

<sup>1)</sup> To achieve specified accuracy, the customer's loading and mounting surfaces must be ground flat and smooth.

<sup>2)</sup> Option